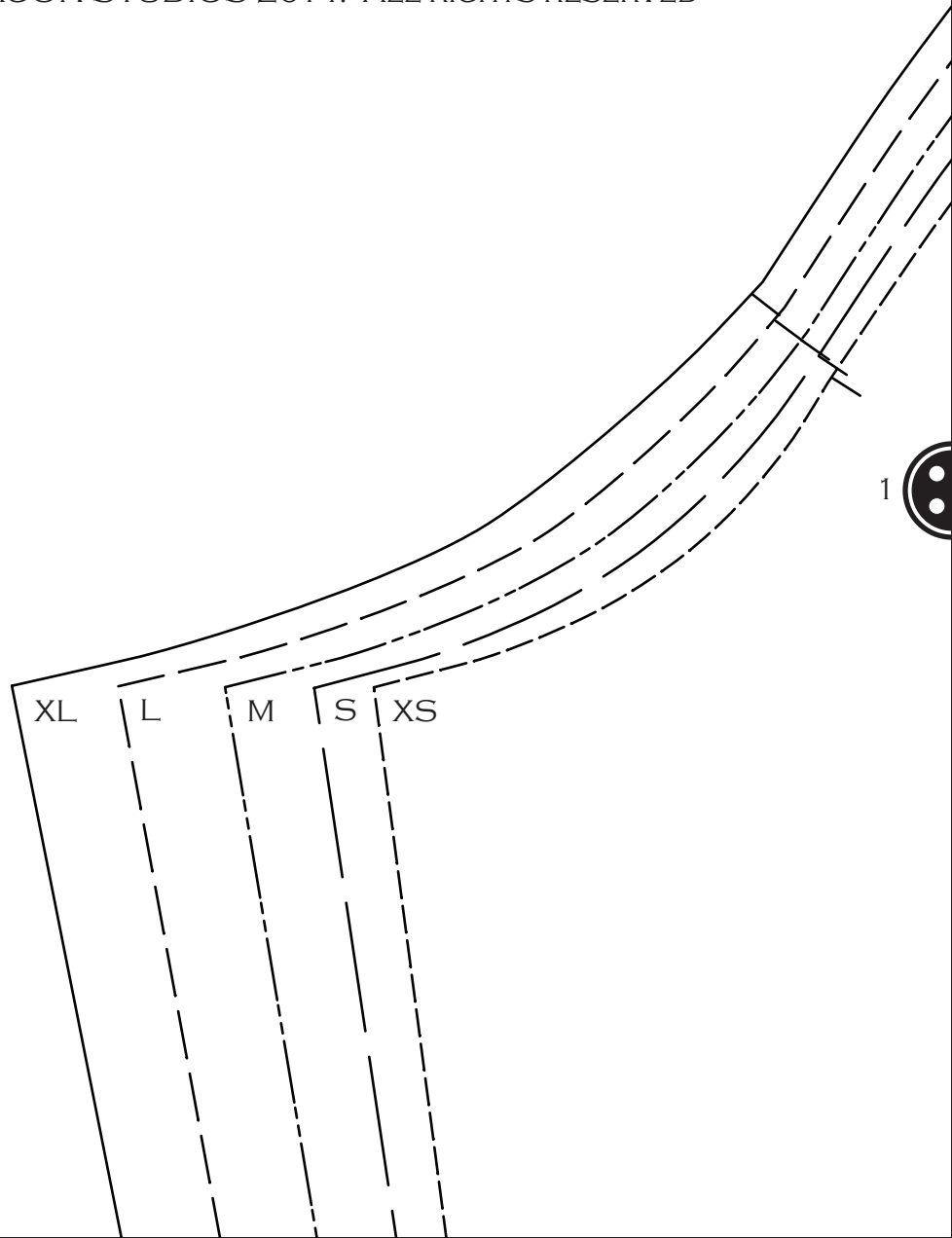


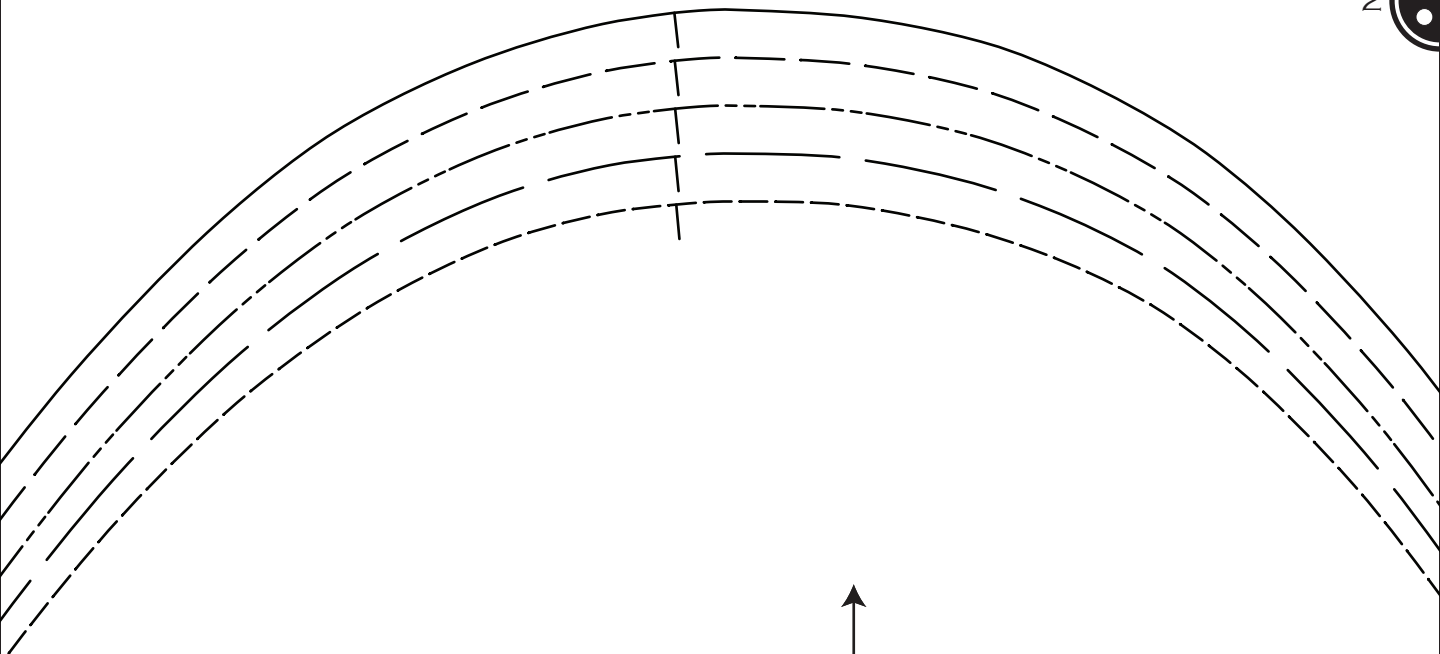
# Snapdragon

CLOTHING PATTERNS

## Studios

© SNAPDRAGON STUDIOS 2014. ALL RIGHTS RESERVED





*Snapdragon Studios*

SUMMER JAZZ DRESS

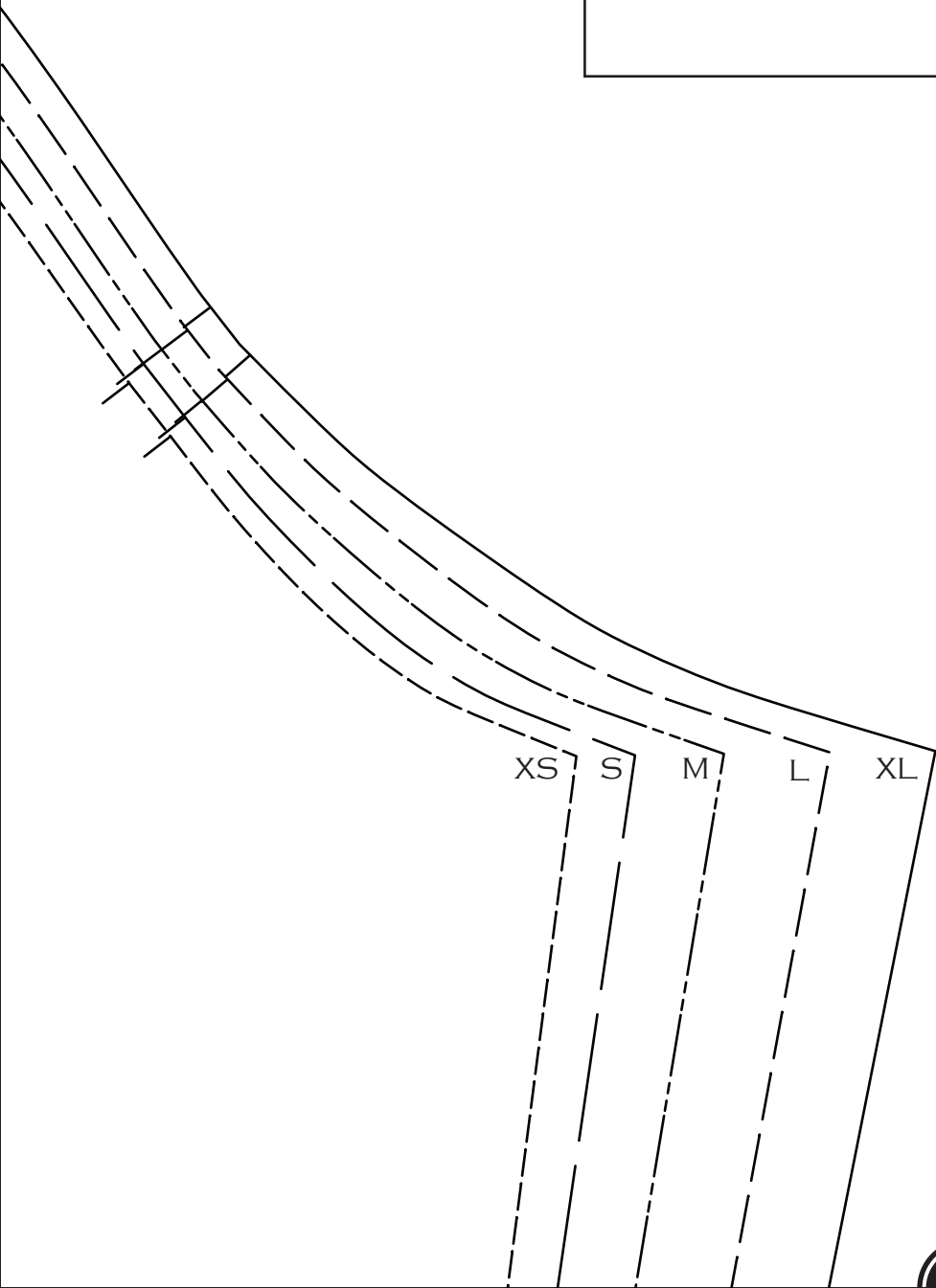
ELBOW, 3/4 & LONG SLEEVE

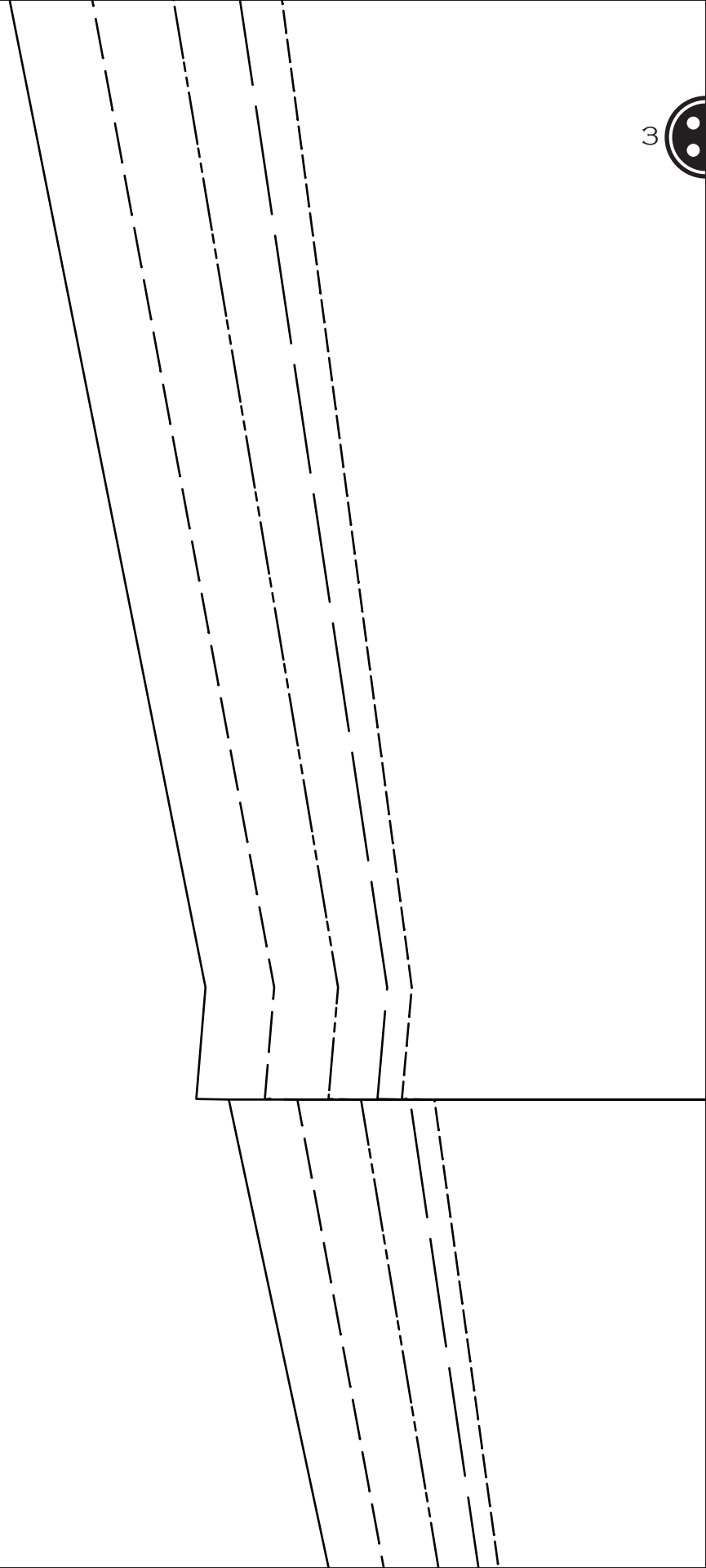
CUT 2





2" x 2"  
TEST SQUARE

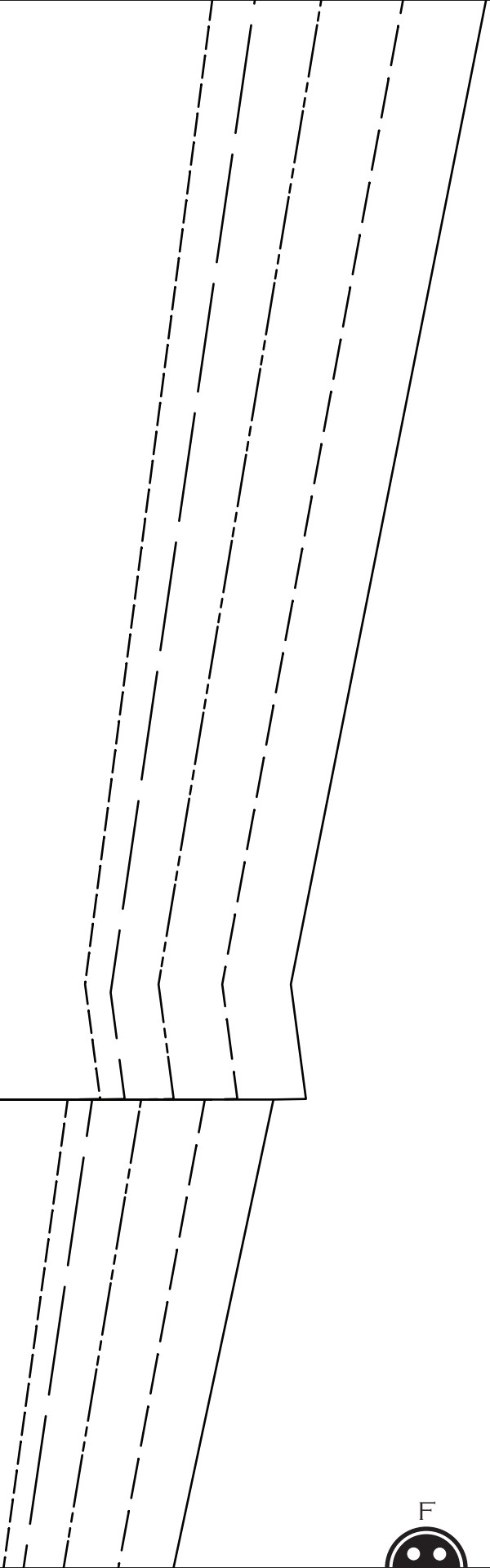


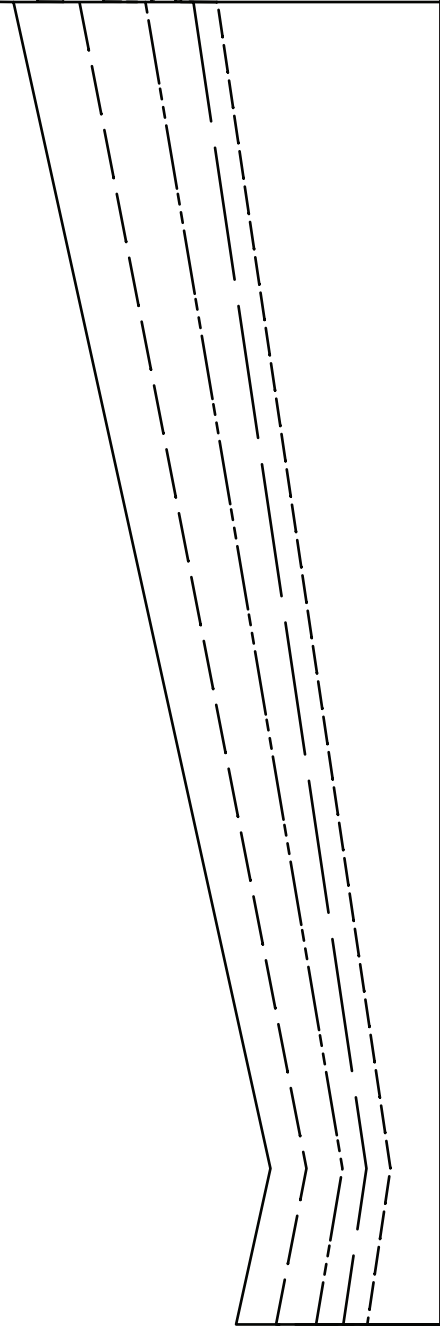
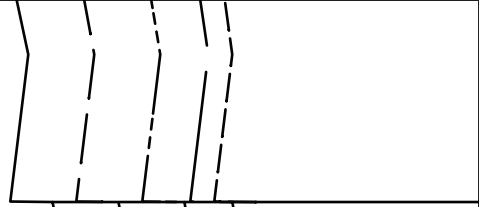




CUT HERE FOR ELBOW LENGTH









E

CUT HERE FOR 3/4 LENGTH



CUT HERE FOR FULL LENGTH

6



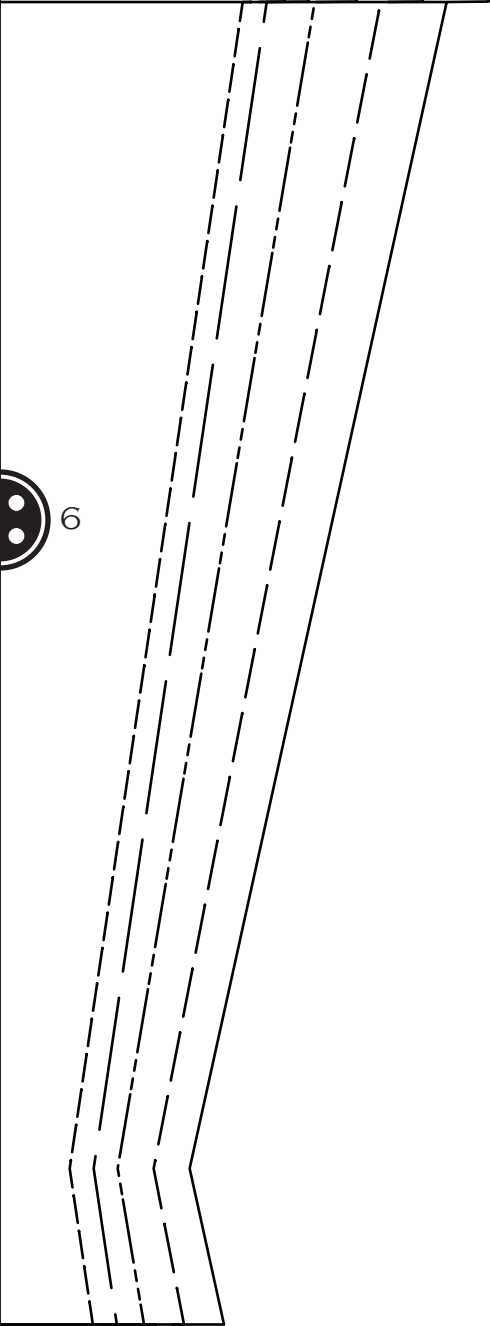
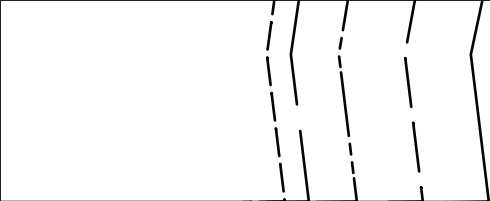
5







F



6